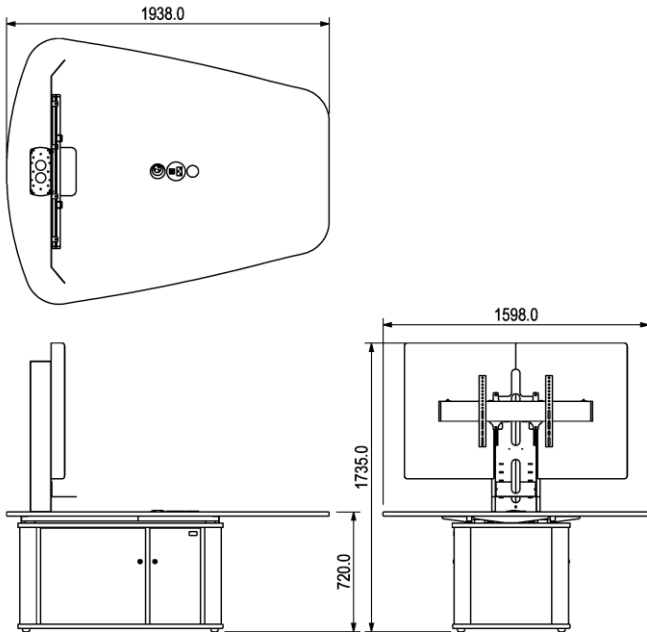


HEIGHT ADJUSTABLE ALLIANCE

PRODUCT CODES: ALLIANCE5-H/ADJ

Quadra Height Adjustable Alliance 5

- * Screen column can accommodate 55" or 75" screens.
- * Single or Dual Screen.
- * Free standing (Table connected to column).
- * Seated or standing options.
- * Main UK power option can be placed into the table-top.
- * Various finishes available, Melamine's and Veneers.
- * Base cabinet with space for PC or Open frame 10U rack.
- * Quadra 10 Year guarantee against normal fair wear and tear.



Quadra AV Furniture
Unit C Glaisdale Road,
Northminster Business Park,
York, YO26 6QT



www.qavf.co.uk - sales@qavf.co.uk - Tel:01904 528 519