

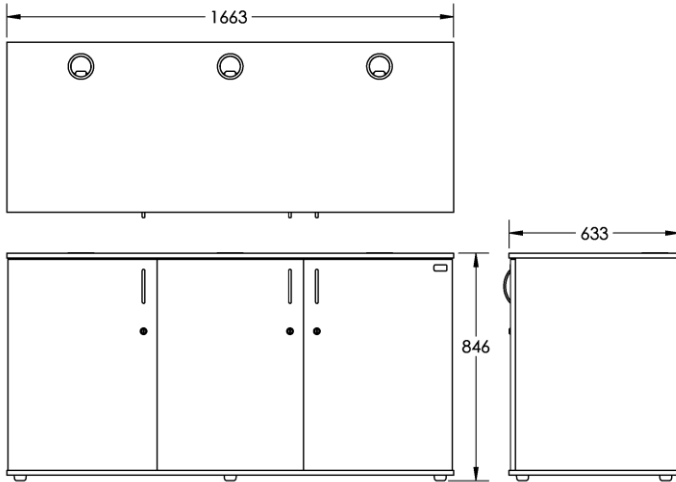
CLASSIC TRIPLE CABINET

PRODUCT CODES: 16TRI-RCAB

Classic Triple Cabinet.

Traditional cabinet can accommodate open frame rack or shelves, or both.
Please specify Racks or shelves on order.

- * Open frame rack options are 10u - 12u - 16u.
- * 3 compartments for rack or shelves.
- * The doors are lockable and fitted with fully adjustable hinges.
- * Can accommodate a logo if required.
- * Removable rear panel for access, includes ventilation grills.
- * The cable ways are via 80mm cable grommet holes.
- * 4x swivel carpet castors fitted.
- * Delivered fully assembled.
- * Quadra 10 Year guarantee in normal use.



Quadra AV Furniture
Unit C Glaisdale Road,
Northminster Business Park,
York, YO26 6QT



www.qavf.co.uk - sales@qavf.co.uk - Tel:01904 528 519